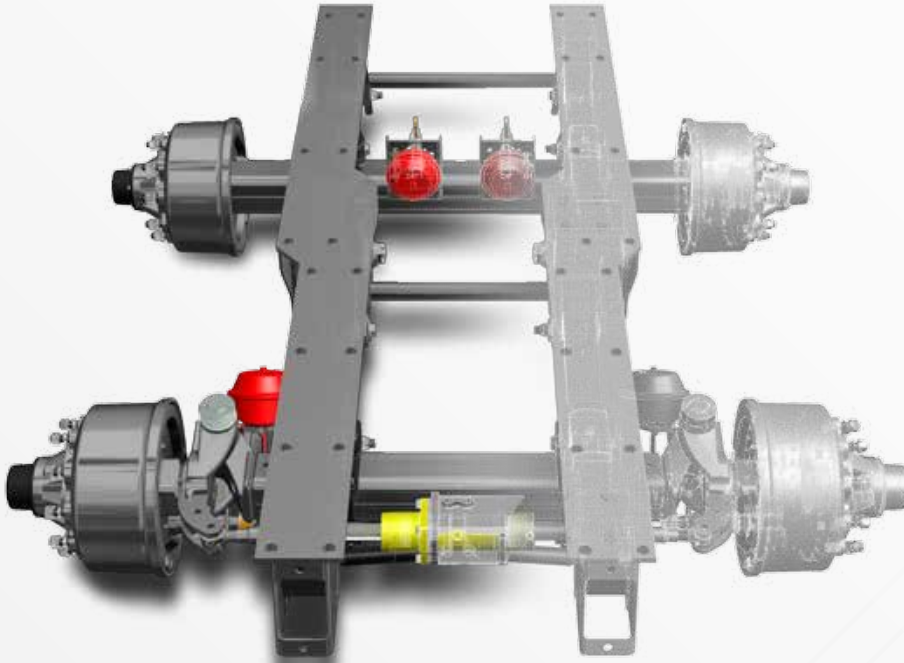


Specific realizations

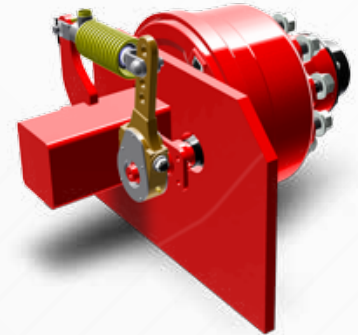
The personalization of our products

Find below some examples of personalization that we realize. These specific products are designed according to the specifications of the manufacturers.



Mechanical offset tandem

Distance between the front leaf springs is not the same that back leaf springs



Special braked half-axle

Welded plates to customer's request

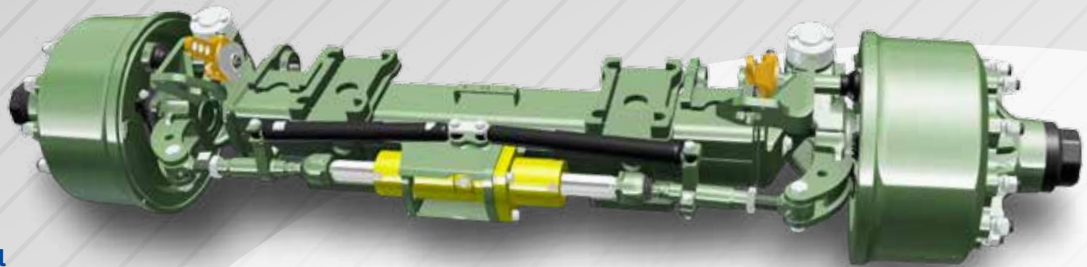


Special offset axle

With offset body and special plates

Self-steering axle STP special

With special plates and customer paint



Special axle

This is two stub axles inside the square beam

